



ATF 70G-4 | MAIN BOOM 52.1 m

70 TON MAX. LIFTING CAPACITY

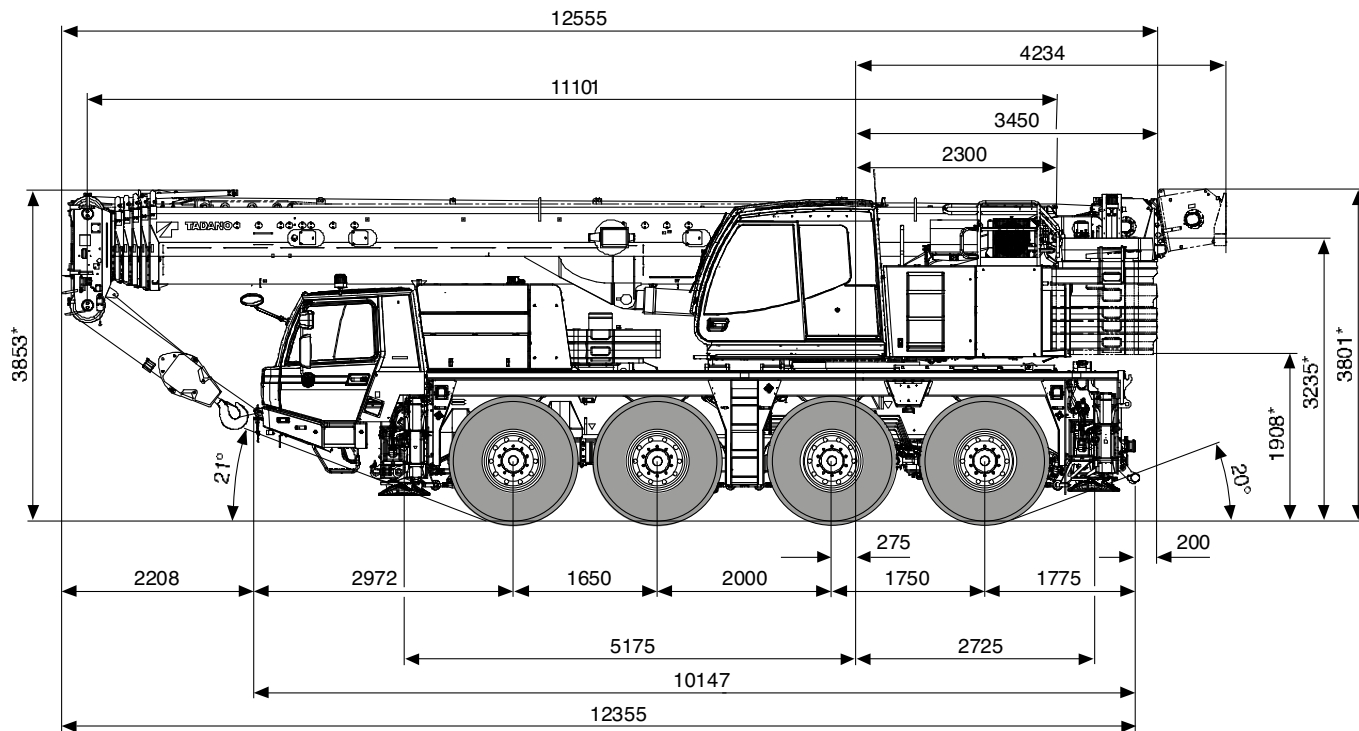
EU STAGE IV

ALL TERRAIN CRANE

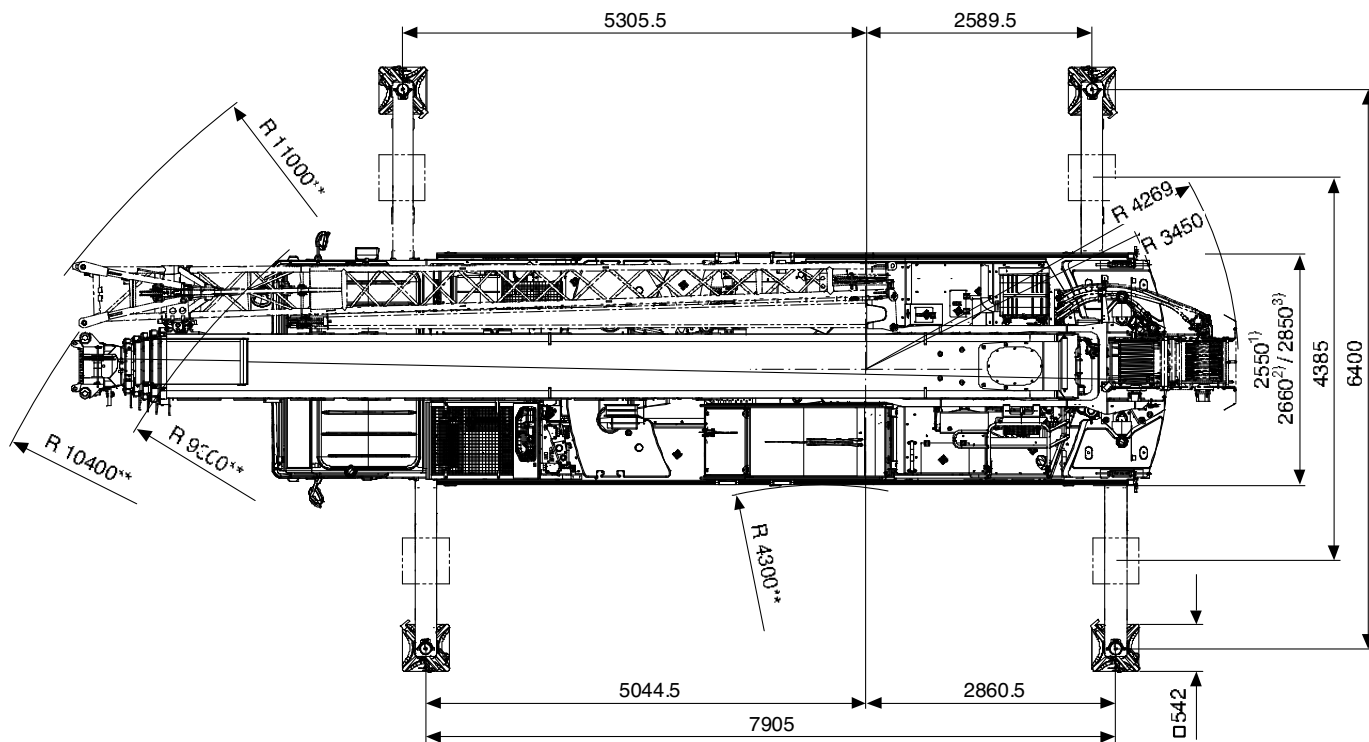


General · Allgemein · Généralités
 Generalidades · Generalità · Общие положения

Vehicle dimensions · Fahrzeugabmessungen · Dimensions du véhicule
 Dimensiones del vehículo · Dimensioni veicolo · Габариты машины



* ± 100




** Minimum · minimum · mínimo · minimo · мінімальны

¹⁾ 385/95 R 25 (14.00 R25)


²⁾ 445/95 R 25 (16.00 R25)

³⁾ 525/80 R 25 (20.5 R25)



 m	11.1 m*	11.1 m	14.9 m	18.8 m	22.6 m	26.4 m	30.0 m	33.8 m	37.6 m	41.5 m	45.3 m	49.1 m	52.1 m
2.5	70.0**	57.7**											
3.0	59.3**	52.5**	50.4	49.0									
3.5	54.4**	48.2	46.2	44.8	39.9								
4.0	50.2	44.4	42.6	41.3	39.9	30.8							
4.5	44.2	41.1	39.6	38.3	37.4	28.7	23.9						
5.0	39.5	37.4	37.2	35.7	34.9	26.9	23.9	17.6					
6.0	32.3	31.3	31.5	31.2	30.9	26.2	22.8	18.6	14.2				
7.0	27.2	26.8	26.9	26.6	26.9	26.0	20.8	18.6	14.2	10.6			
8.0	23.4	23.1	23.3	23.0	23.3	23.5	20.4	17.6	14.2	10.6	8.3		
9.0			20.6	20.0	20.3	20.5	19.0	16.4	14.2	10.6	8.3	6.8	
10.0			18.2	17.6	18.4	18.1	17.8	15.1	13.3	10.6	8.3	6.8	5.8
12.0			14.4	14.8	14.7	14.7	14.8	12.9	11.7	10.6	8.3	6.8	5.8
14.0				11.4	11.7	11.8	11.5	11.1	10.4	9.5	8.3	6.8	5.8
16.0				9.0	9.6	9.5	9.1	8.9	9.1	8.5	7.9	6.8	5.8
18.0					7.9	7.7	7.6	7.8	7.4	7.4	7.1	6.6	5.8
20.0					6.4	6.4	6.8	6.5	6.2	6.1	6.3	6.0	5.7
22.0						5.9	5.7	5.4	5.6	5.5	5.2	5.3	5.3
24.0						3.8	4.9	4.9	4.8	4.7	4.7	4.4	4.5
26.0							4.2	4.4	4.1	4.0	4.0	3.7	3.8
28.0								3.8	3.8	3.6	3.4	3.2	3.2
30.0								3.3	3.3	3.1	2.9	2.7	2.7
32.0									2.8	2.7	2.5	2.2	2.3
34.0									2.5	2.3	2.2	1.9	1.9
36.0										2.0	1.8	1.6	1.6
38.0										1.7	1.5	1.3	1.3
40.0											1.3	1.0	1.0
42.0											1.1	0.8	0.8
44.0												0.6	0.6



 m	11.1 m*	11.1 m	14.9 m	18.8 m	22.6 m	26.4 m	30.0 m	33.8 m	37.6 m	41.5 m	45.3 m	49.1 m	52.1 m
2.5	70.0**	57.7**											
3.0	59.3**	52.5**	50.4	49.0									
3.5	54.4**	48.2	46.2	44.8	39.9								
4.0	48.6	44.4	42.6	41.3	39.9	30.8							
4.5	42.8	40.5	39.6	38.3	37.4	28.7	23.9						
5.0	38.1	36.8	36.9	35.7	34.9	26.9	23.9	17.6					
6.0	31.1	30.8	30.9	30.6	30.9	26.2	22.8	18.6	14.2				
7.0	26.1	26.2	26.4	26.1	26.4	26.0	20.8	18.6	14.2	10.6			
8.0	22.3	22.6	22.7	22.4	22.7	23.0	20.4	17.6	14.2	10.6	8.3		
9.0			20.1	19.5	20.3	20.0	19.0	16.4	14.2	10.6	8.3	6.8	
10.0			17.7	17.4	17.9	17.7	17.6	15.1	13.3	10.6	8.3	6.8	5.8
12.0			13.4	13.7	13.6	14.2	13.7	12.8	11.7	10.6	8.3	6.8	5.8
14.0				11.0	11.1	10.9	10.6	10.2	10.3	9.5	8.3	6.8	5.8
16.0				8.7	8.8	8.7	8.4	8.8	8.4	8.3	7.9	6.8	5.8
18.0					7.2	7.1	7.5	7.2	6.8	6.8	7.0	6.6	5.8
20.0					5.8	6.3	6.2	5.9	6.1	6.0	5.7	5.8	5.7
22.0						5.4	5.2	5.3	5.1	5.0	5.1	4.8	4.8
24.0						3.4	4.4	4.6	4.4	4.4	4.3	4.0	4.0
26.0							4.1	3.9	3.9	3.7	3.6	3.3	3.3
28.0								3.4	3.4	3.2	3.1	2.8	2.8
30.0								3.0	2.9	2.7	2.6	2.3	2.3
32.0									2.5	2.3	2.2	1.9	1.9
34.0									2.2	2.0	1.8	1.6	1.6
36.0										1.7	1.5	1.3	1.3
38.0										1.4	1.3	1.0	1.0
40.0											1.0	0.8	0.8
42.0											0.8	0.5	0.6

* Over rear · Nach hinten · A l'arrière · Hacia atrás · Indietro · Назад

** With additional lifting equipment · Mit Zusatzhubausrüstung · Avec équipement de levage supplémentaire

Con equipamiento de elevación adicional · Con attrezzaggio di sollevamento supplementare · С дополнительным подъемным оборудованием

Operation · Einsatz · Utilisation
 Uso · Эксплуатация



↙ m	11.1 m*	11.1 m	14.9 m	18.8 m	22.6 m	26.4 m	30.0 m	33.8 m	37.6 m	41.5 m	45.3 m	49.1 m	52.1 m
2.5	70.0**	57.7**											
3.0	59.3**	52.5**	50.4	49.0									
3.5	51.6	47.4	46.2	44.8	39.9								
4.0	44.7	42.2	42.0	41.3	39.9	30.8							
4.5	39.4	37.8	38.0	37.7	37.4	28.7	23.9						
5.0	35.1	34.2	34.4	34.0	34.4	26.9	23.9	17.6					
6.0	28.7	28.4	28.6	28.2	27.7	26.2	22.8	18.6	14.2				
7.0	24.1	23.9	24.3	23.0	22.9	21.1	20.7	18.6	14.2	10.6			
8.0	20.1	19.5	20.2	20.0	18.8	18.6	17.2	15.9	14.2	10.6	8.3		
9.0			16.1	16.4	16.4	15.8	14.6	13.5	12.9	10.6	8.3	6.8	
10.0			13.2	14.1	14.2	13.6	12.6	12.1	11.6	10.6	8.3	6.8	5.8
12.0			9.5	10.1	10.2	10.1	10.2	9.8	9.1	8.8	8.3	6.8	5.8
14.0				7.6	7.7	8.2	8.0	7.7	7.8	7.5	7.2	6.7	5.8
16.0				5.9	6.4	6.4	6.3	6.5	6.4	6.3	5.9	5.4	5.3
18.0					5.2	5.2	5.3	5.2	5.2	5.0	4.8	4.4	4.3
20.0					4.2	4.2	4.4	4.2	4.2	4.0	3.9	3.6	3.6
22.0						3.5	3.6	3.5	3.4	3.3	3.1	2.8	2.8
24.0						1.6	3.0	2.9	2.8	2.7	2.5	2.2	2.2
26.0							2.5	2.4	2.3	2.1	2.0	1.7	1.7
28.0								1.9	1.9	1.7	1.6	1.3	1.3
30.0								1.6	1.6	1.4	1.2	1.0	1.0
32.0									1.3	1.1	0.9		
34.0									1.0	0.8	0.7		
36.0										0.6			



↙ m	11.1 m*	11.1 m	14.9 m	18.8 m	22.6 m	26.4 m	30.0 m	33.8 m	37.6 m	41.5 m	45.3 m	49.1 m	52.1 m
2.5	70.0**	57.7**											
3.0	59.3**	52.5**	50.4	49.0									
3.5	50.6	46.8	46.2	44.8	39.9								
4.0	43.9	41.6	41.8	41.3	39.9	30.8							
4.5	38.7	37.3	37.5	37.1	37.2	28.7	23.9						
5.0	34.5	33.7	33.8	33.5	33.6	26.9	23.9	17.6					
6.0	28.2	27.9	28.1	27.3	26.6	24.5	22.3	18.6	14.2				
7.0	23.6	23.4	23.8	22.2	21.3	20.8	19.2	17.6	14.2	10.6			
8.0	18.8	18.0	18.8	18.6	17.8	17.3	16.0	14.7	14.0	10.6	8.3		
9.0			14.8	15.4	15.6	14.7	13.6	12.9	12.4	10.6	8.3	6.8	
10.0			12.4	13.0	13.1	12.6	11.7	11.7	10.7	10.3	8.3	6.8	5.8
12.0			8.7	9.3	9.4	9.4	9.7	9.0	8.9	8.5	7.8	6.8	5.8
14.0				6.9	7.4	7.5	7.3	7.5	7.2	7.0	6.6	6.1	5.8
16.0				5.3	5.9	5.9	6.0	5.9	5.9	5.7	5.4	4.9	4.8
18.0					4.7	4.7	4.8	4.7	4.7	4.5	4.4	4.0	3.9
20.0					3.8	3.8	3.9	3.8	3.8	3.6	3.5	3.2	3.1
22.0						3.1	3.2	3.1	3.1	2.9	2.7	2.5	2.5
24.0						1.3	2.6	2.5	2.5	2.3	2.2	1.9	1.9
26.0							2.2	2.1	2.0	1.8	1.7	1.4	1.4
28.0								1.7	1.6	1.4	1.3	1.0	1.0
30.0								1.3	1.3	1.1	1.0		
32.0									1.0	0.8	0.7		
34.0									0.8	0.6			

* Over rear · Nach hinten · A l'arrière · Hacia atrás · Indietro · Назад

** With additional lifting equipment · Mit Zusatzhubausrüstung · Avec équipement de levage supplémentaire

Con equipamiento de elevación adicional · Con attrezzaggio di sollevamento supplementare · С дополнительным подъемным оборудованием